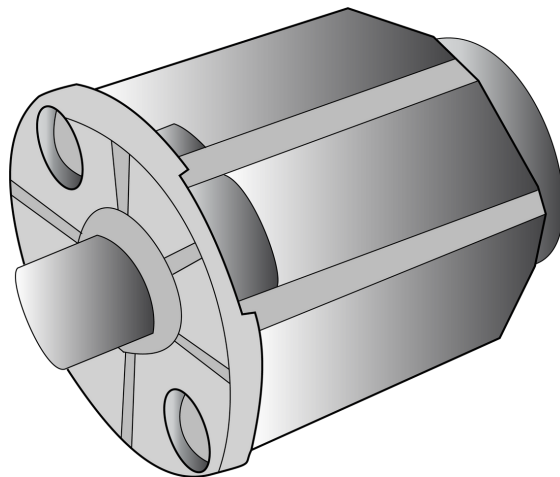


Pin End, Spring Loaded



Part Number	Description	Pack Qty
MT28-02IE	28mm Pin End, Spring Loaded, White	200
MT28-02IEBLK	28mm Pin End, Spring Loaded, Black	200