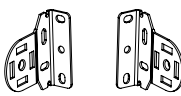


bloc® Wand

How to Install

x4 

x2 

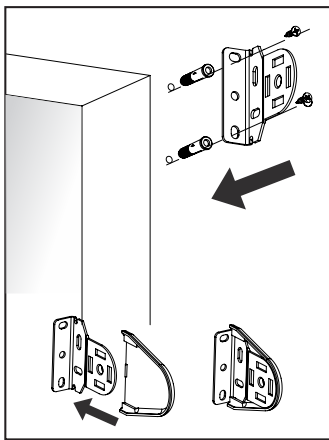
x2 

x1 

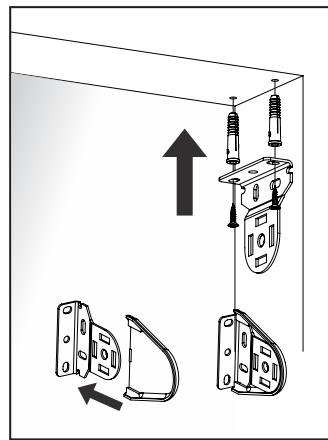


1

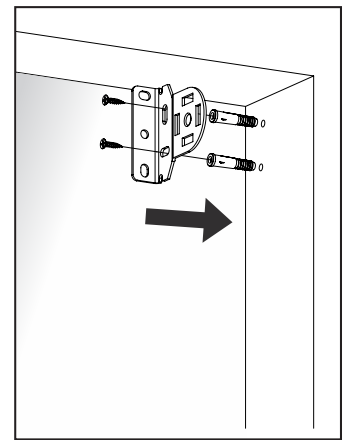
Surface Face Fix



Recess Top Fix



Recess Side Fix

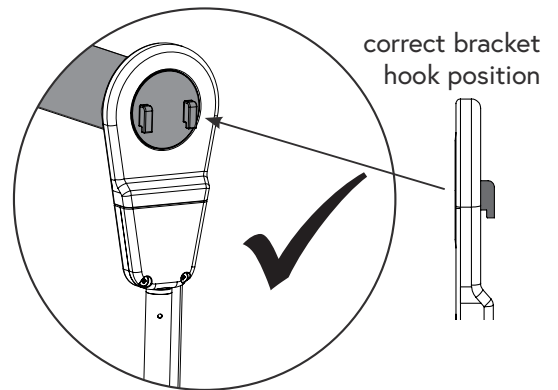
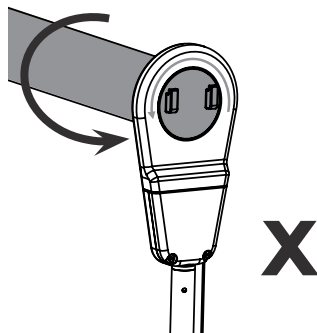
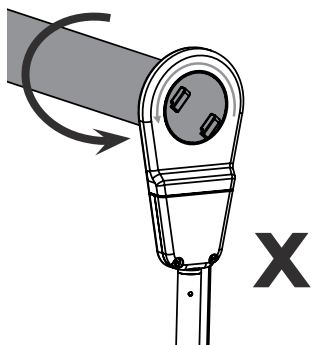


OR

OR

2

Rotate tube to position correctly



3

